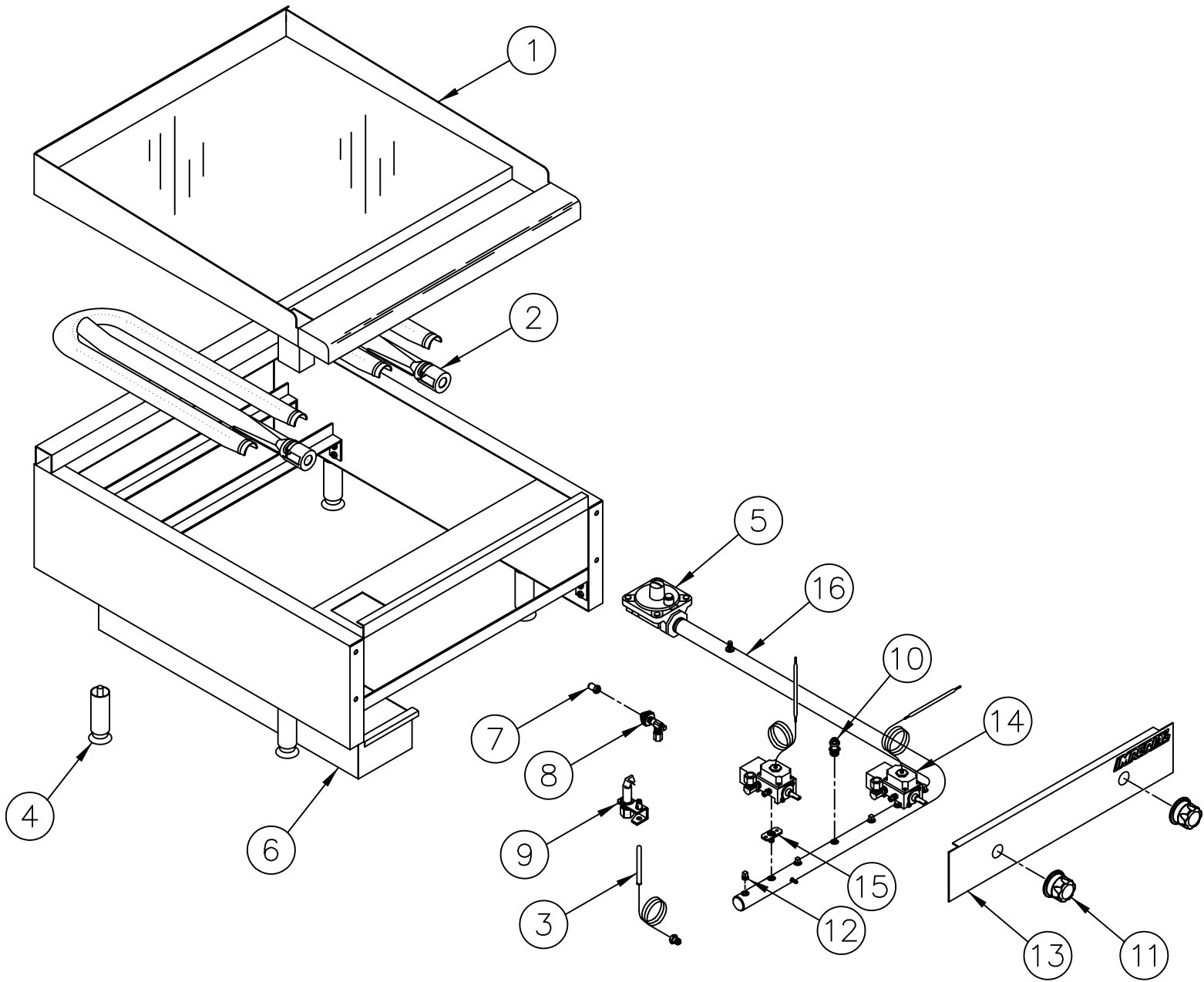

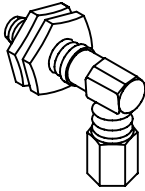

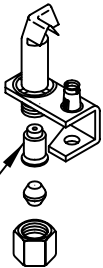

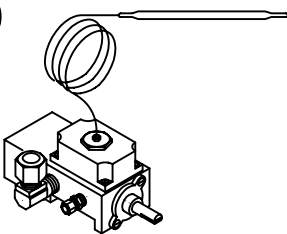
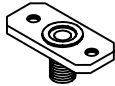


CITG SERIES THERMOSTAT GRIDDLE REPLACEMENT PARTS FOR ALL CITG MODELS



<p>7</p> 	<p>8</p> 	<p>10</p> 
<p>9</p>  <p>17</p> 	<p>14</p> 	<p>15</p> 

CITG Series - Thermo Controlled Griddles

ITEM NO	DESCRIPTION	PART #	24"	36"	48"	60"	72"
1	24" GRIDDLE PLATE ASSEMBLY	12000	1				
	36" GRIDDLE PLATE ASSEMBLY	12001		1			
	48" GRIDDLE PLATE ASSEMBLY	12002			1		
	60" GRIDDLE PLATE ASSEMBLY	12003				1	
	72" GRIDDLE PLATE ASSEMBLY	12004					1
2	BURNER ASSEMBLY WITH AIR SHUTTER	1031	2	3	4	5	6
	AIR SHUTTER	1037	2	3	4	5	6
3	BURNER THERMOCOUPLE (USED W/ PN 10001)	1129	1	2	3	4	5
	BURNER THERMOCOUPLE (USED W/ PN 1145 OR 1146)	1217	1	2	3	4	5
4	4" ADJUSTABLE LEG	1010	4	4	4	6	6
5	GAS PRESSURE REGULATOR 3/4" - NATURAL GAS	1050	1	1	1	1	1
	GAS PRESSURE REGULATOR 3/4" - PROPANE GAS	1051	1	1	1	1	1
6	10 X 16 GREASE CAN	12019	1	1	1	1	1
	9 X 16 GREASE CAN	12020					
	6 X 19 1/4 X 3 GREASE CAN	31180	1	1	1	1	1
7	BURNER ORIFICE (BRASS), NATURAL	1700-39	2	3	4	5	6
	BURNER ORIFICE (BRASS), PROPANE	1700-52	2	3	4	5	6
8	ELBOW ORIFICE FITTING (BRASS)	1604	2	3	4	5	6
9	PILOT BURNER (UMBRELLA SHAPED HEAD)	10001	1	2	3	4	5
	PILOT BURNER W/ BELL ORIFICE NAT	1145	1	2	3	4	5
	PILOT BURNER W/ BELL ORIFICE LP	1146	1	2	3	4	5
	3/16" FITTING NUT (USED WITH PN 10001)	1634	1	2	3	4	5
	ELECTRODE (USED WITH PN 10001)	1256	1	2	3	4	5
	IGNITION WIRE (USED WITH PN 10001)	1285	1	2	3	4	5
10	1/8" PRESSURE TAP	1255					
11	BURNER KNOB **USED WITH PN 1651**	36571	1	2	2	3	3
	SPECIFY COLOR AND KNOB PART # WHEN ORDERING						
12	1/8" PLUG	1013					
13	24" VALVE COVER (STAINLESS STEEL)	12006	1				
	36" VALVE COVER (STAINLESS STEEL)	12007		1			
	48" VALVE COVER (STAINLESS STEEL)	12008			1		
	60" VALVE COVER (STAINLESS STEEL)	12009				1	
	72" VALVE COVER (STAINLESS STEEL)	12010					1
14	GRIDDLE THERMOSTAT	1179	1	2	2	3	3
	GRIDDLE THERMOSTAT	1159	1	2	2	3	3
15	THERMOSTAT SADDLE MOUNT	1104	1	2	2	3	3
16	24" MANIFOLD PIPE	0870	1				
	36" MANIFOLD PIPE	0869		1			
	48" MANIFOLD PIPE	0868			1		
	60" MANIFOLD PIPE	0866				1	
	72" MANIFOLD PIPE	0865					1
17	PILOT BELL ORIFICE NAT	1291	1	2	3	4	5
	PILOT BELL ORIFICE LP	1292	1	2	3	4	5