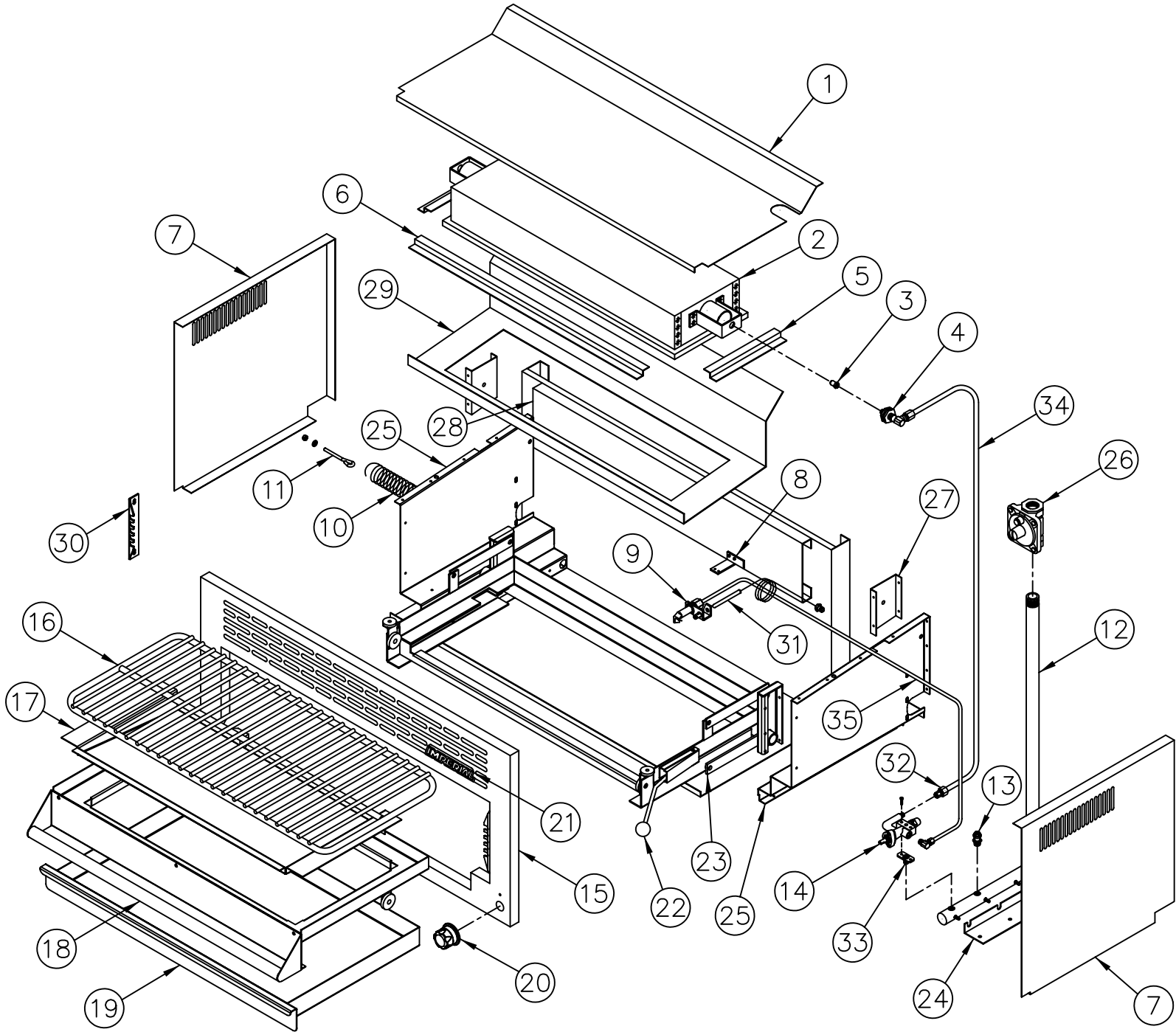


CISB SERIES SALAMANDER BROILER
REPLACEMENT PARTS FOR ALL CISB MODELS



<p>3</p>	<p>4</p>	<p>9</p> <p>36</p>	<p>13</p>
<p>33</p>	<p>32</p>	<p>14</p> <p>1660-L, 1660-R</p>	<p>14</p> <p>1651-L, 1651-R</p>

CISB Series - Salamander Broilers

ITEM NO	DESCRIPTION	PART #	24"	36"
1	24" TOP COVER	14000S	1	
	36" TOP COVER	14001S		1
2	SMALL INFRARED BURNER (7 1/4 X 15 3/4)	1039	1	
	LARGE INFRARED BURNER (7 1/4 X 27)	1040		1
	LARGE INFRARED BURNER (DUEL INLET) (7 1/4 X 27)	1299		1
3	SMALL BURNER ORIFICE (BRASS), NATURAL GAS	1700-43	1	
	SMALL BURNER ORIFICE (BRASS), PROPANE GAS	1700-53	1	
	LARGE BURNER ORIFICE (BRASS), NATURAL GAS	1700-36		2
	LARGE BURNER ORIFICE (BRASS), PROPANE GAS	1700-50		2
4	ORIFICE ELBOW (BRASS)	1604	1	2
5	BURNER SIDE CLAMP	14020	2	2
6	SMALL BURNER FRONT CLAMP (15 3/4)	14021	1	
	LARGE BURNER FRONT CLAMP (26 1/2)	14022		1
7	LEFT HAND SIDE PANEL	14010S	1	1
	RIGHT HAND SIDE PANEL	14011S	1	1
8	PILOT BRACKET (USED WITH PN 1145 OR 1146)	14030	1	2
	PILOT BRACKET (USED WITH PN 10001)	14031	1	2
	PILOT BRACKET (USED WITH PN 10002 & 10002)	14032	1	2
9	PILOT BURNER (UMBRELLA SHAPED HEAD)	10001	1	2
	PILOT BURNER W/ BELL ORIFICE NAT	1145	1	2
	PILOT BURNER W/ BELL ORIFICE LP	1146	1	2
	3/16" FITTING NUT (USED WITH PN 10001)	1634	2	4
	ELECTRODE (USED WITH PN 10001)	1256	1	2
	IGNITION WIRE (USED WITH PN 10001)	1285	1	2
10	SPRING	1800	2	2
11	EYE BOLT	1820	1	1
12	RIGHT SIDE MANIFOLD PIPE	31459	1	1
	LEFT SIDE MANIFOLD PIPE	31458	1	1
13	1/8" PRESSURE TAP	1255		
14	BURNER VALVE (W/O ORIFICE) **LEFT SIDE**	1651-L		
	BURNER VALVE (W/O ORIFICE) **RIGHT SIDE**	1651-R		
	1/4" FITTING NUT (USED WITH PN 1651)	1633		
15	24" FRONT COVER (STAINLESS STEEL)	17011	1	
	36" FRONT COVER (STAINLESS STEEL)	17010		1
16	24" CHROME RACK	2032	1	
	36" CHROME RACK	2033		1
17	24" DRIP PAN	17014	1	
	36" DRIP PAN	17015		1
18	24" RACK ASSEMBLY (W/ PULL OUT HANDLE)	17030	1	
	36" RACK ASSEMBLY (W/ PULL OUT HANDLE)	17031		1
19	24" CRUMB TRAY ASSEMBLY	17012	1	
	36" CRUMB TRAY ASSEMBLY	17013		1
20	BURNER KNOB **USED WITH PN 1651** **SPECIFY COLOR AND KNOB PART # WHEN ORDERING**	36330	1	2
21	IMPERIAL LOGO	1204	1	1
	NAME PLATE SPEED NUT	1027	2	2
22	HANDLE KNOB	1014	1	1
23	24" CRADLE FRAME ASSEMBLY	17020	1	
	36" CRADLE FRAME ASSEMBLY	17021		1
24	MANIFOLD BRACKET	17025	1	1
25	SIDE LINER - R/H	17026	1	1
	SIDE LINER - L/H	17027	1	1
26	GAS PRESSURE REGULATOR - NATURAL GAS	1050	1	1
	GAS PRESSURE REGULATOR - PROPANE GAS	1051	1	1
27	FLUE END CAP - R/H	17022	1	1
	FLUE END CAP - L/H	17023	1	1
28	24" BACK FLUE SUPPORT	14050	1	
	36" BACK FLUE SUPPORT	14051		1

CISB Series - Salamander Broilers

ITEM NO	DESCRIPTION	PART #	24"	36"
29	24" TOP LINER	14045	1	
	36" TOP LINER	14046		1
30	LATCH BRACKET	17035	1	1
31	BURNER THERMOCOUPLE (USED WITH PN 10001)	1129		
	BURNER THERMOCOUPLE (USED WITH PN 1145 OR 1146)	1121		
32	ADAPTER (USED WITH PN 1651)	1627		
33	SADDLE MOUNT	1104		
34	3/8" ALUMINIZED TUBING (SPECIFY LENGTH OF TUBING)	2102-**	in.	in.
35	3/16" ALUMINIZED TUBING (SPECIFY LENGTH OF TUBING)	2101-**	in.	in.
36	PILOT BELL ORIFICE (USED WITH PN 1145 OR 1146) NAT	1017	1	2
	PILOT BELL ORIFICE (USED WITH PN 1145 OR 1146) LPG	1018	1	2
*	REINFORCEMENT KITS 24", 36"	14060	1	1
*	REINFORCEMENT KITS 48", 60", 72"	14062		
*	WALL MOUNT KIT 24"	14055	1	
*	WALL MOUNT KIT 36"	14056		1