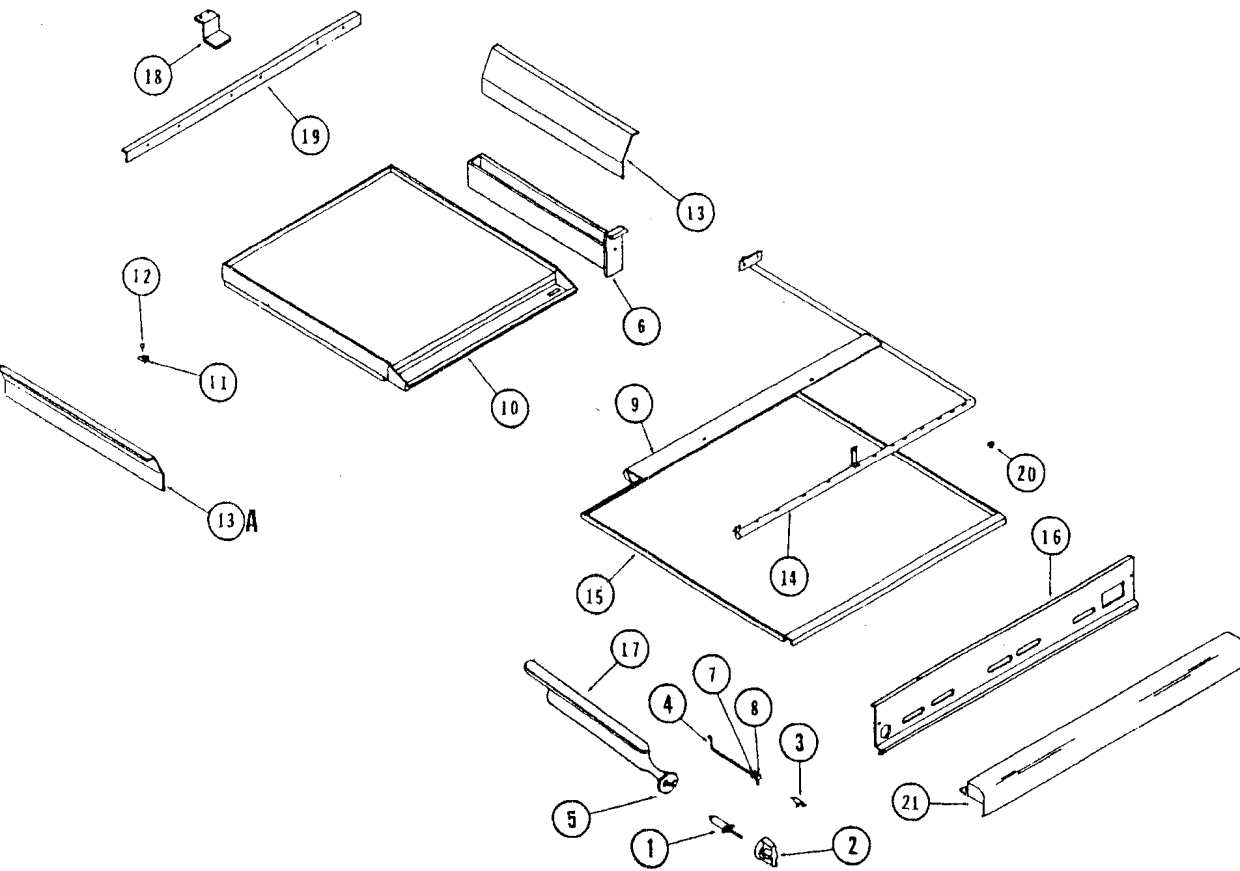


Montague Grizzly G & GE Series - Fry Top Section, Manual Control - Exploded View



Item	Part #	Description
1	02403-1	Valve, Top Burner-NAT. (4.0"WC)
	01006-5	Valve, Top Burner-LP (10.0" WC)
	14608-0	Valve, Top Burner-NAT.(6.0"WC, #1)
2	11790-0	Handle, Valve-Blue
3	01055-3	Valve, Pilot Adjustment
4	03415-0	Lighter, Pilot
5	02038-9	Air Mixer
6	14127-5	Grease Container, Frytop
7	02202-0	Nut, Compression- 3/16"
8	02203-9	Sleeve, Compression -3/16"
9	11875-3	Shield, Front Valve-(34" unit)
10	14123-2	Frytop-1ft
	14122-4	Frytop-2ft
	14111-9	Frytop-3ft
	14119-4	Frytop-4ft
	14120-8	Frytop-5ft
	14114-3	Frytop-6ft
11	01920-8	Nut, Retainer
12	01869-4	Bolt, Adj.- Frytop
13	14043-0	Deflector, Drip-Right
13A	14039-2	Deflector, Drip-Left
14	14027-9	Manifold Assy-(34"unit)
15	04485-7	Container, Drip-Pan
16	14126-7	Panel, Control
17	03361-8	Burner Assy, Complete- 1ft only
18	14146-1	Support Burner-Rear
19	14042-2	Angle, Rear Structural-(34"unit)
20	01279-3	Plug, Manifold-1/8"
21A	26674-4	Rail, Front Guard-(34"unit)

European / Flame - Failure Valve Variations GE Series Only

1	25819-9	Flame Failure Valve (rt. offset)
	25818-0	Flame Failure Valve (lt. offset)
2	25820-2	Valve Handle
4	26179-3	Pilot Burner - Top Sections
	26180-7	Injector - G20 Natural Gas
	26181-5	Injector - G31 LP Gas
11	26186-6	Thermocouple - M8 x 1 600 mm
	26183-1	Sleeve, Compression - 3/16" Tube
	26185-8	Nut, Compression - 3/16" Tube
Other	26174-2	Electrode - Fry Top/Hot Top
	27986-2	Ignitor Wire - Fry Top/Hot Top
	25716-8	Ignitor, w/ Nut Piezo

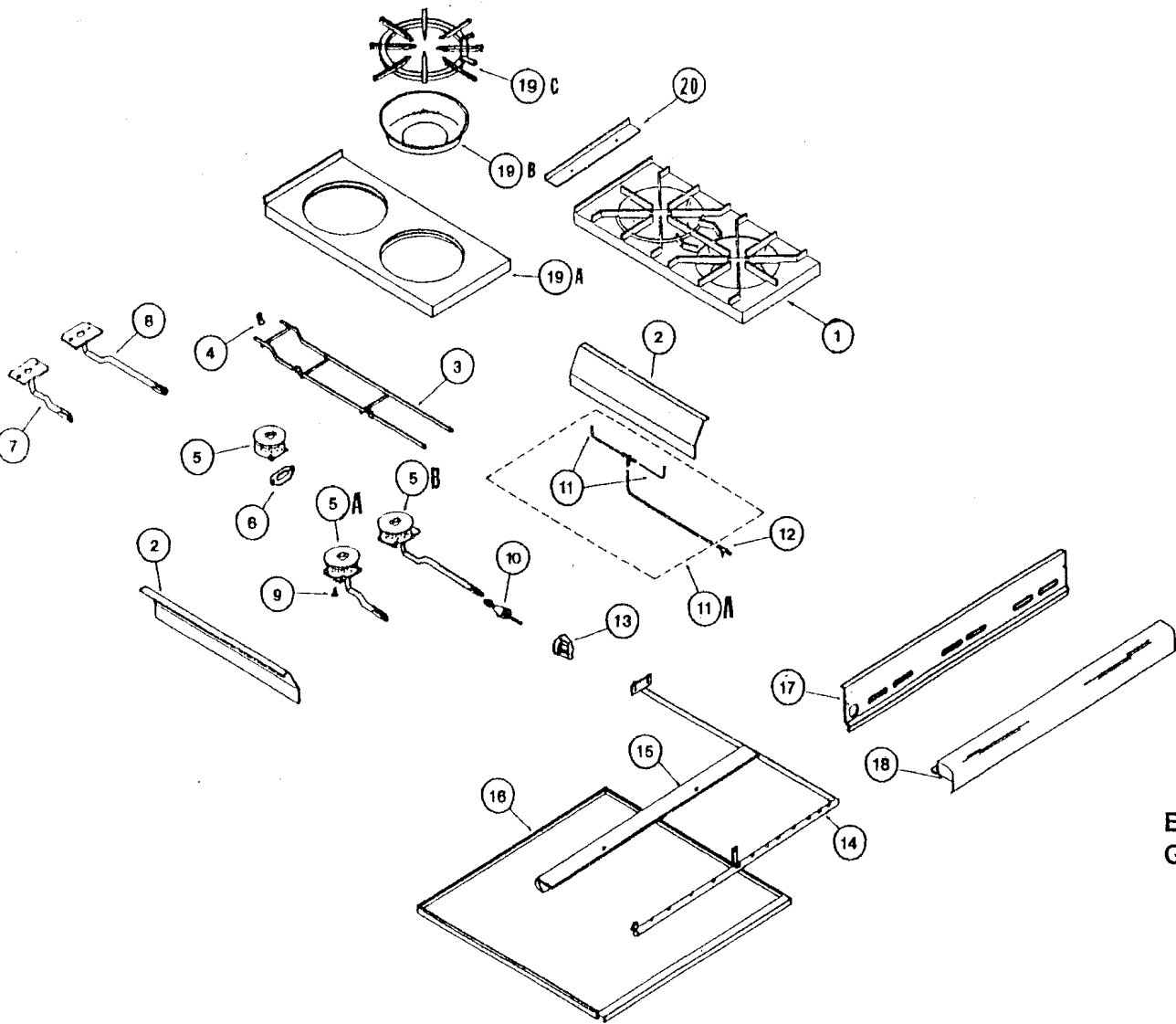


The Montague Company

1830 Stearman Avenue, Hayward, California 94545

Handwritten signature or scribble.

Montague Grizzly G & GE Series - Open Top Section - Exploded View



Item	Part #	Description
1	25429-0	Cast Iron Top
2	14040-6	Deflector, Drip
3	18873-7	Support, Burner
4	01388-9	Clamp, Burner Support
5	03371-5	Burner, Head-Round
5A	15589-6	Burner, Front-Complete
5B	15591-8	Burner, Rear-Complete
6	02115-6	Gasket, Burner
7	11778-1	Venturi-Front Burner
8	11777-3	Venturi-Rear Burner
9	06976-0	Screw, Cap-Burner
10	02403-1	Valve, Top Burner-NAT.(4.0"WC)
	01006-5	Valve, Top Burner-LP (10.0"WC)
	14608-0	Valve, Top Burner-NAT(6.0"WC, Chg #1)
11	14051-1	Lighter, Pilot
11A	14033-3	Pilot Kit, Open Top-(Less Valve)
12	01055-3	Valve, Pilot Adjustment
13	11790-0	Handle, Valve-(Blue)
14	14027-9	Manifold Assy-(34"unit)
15	11875-3	Shield, Front Valve-(34"unit)
16	04485-7	Container, Drip-(34"unit)
17	14062-7	Panel, Control-(34"unit)
18A	26674-4	Rail, Front Guard-(34"unit)
19A	11834-6	Open Top Section-(2 hole)
19B	01551-2	Bowl, Burner
19C	11758-7	Grate, Top
20	23146-0	Stop, Angle Bracket-(SGL)
	23180-0	Stop, Angle Bracket-(DBL)
	23181-9	Stop, Angle Bracket-(TRPL)

European / Flame - Failure Valve Variations GE Series Only

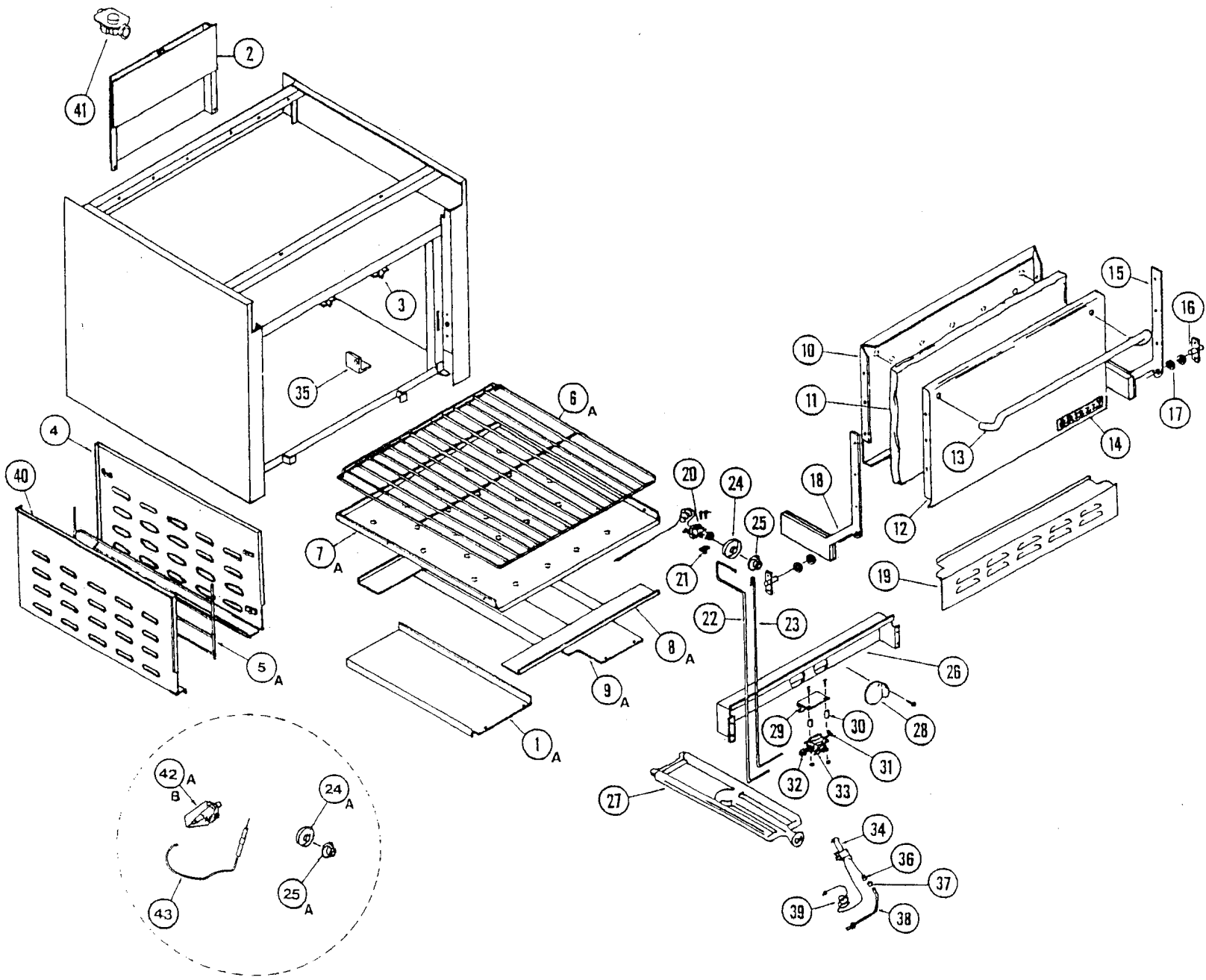
5	25969-1	Burner Head - Open Top
	26659-0	Burner Assy - Open Top - (rear)
	26660-4	Burner Assy - Open Top - (front)
10	25819-9	Flame Failure Valve (rt. offset)
	25818-0	Flame Failure Valve (lt. offset)
11	26179-3	Pilot Burner - Top Sections - . . .
	26180-7	Injector - G20 Natural Gas
	26181-5	Injector - G31 LP Gas
13	25820-2	Valve Handle



The Montague Company

1830 Stearman Avenue, Hayward, California 94545

Montague Grizzly G & GE Series - G26 Oven - Exploded View



The Montague Company
1830 Stearman Avenue, Hayward, California 94545

Montague Grizzly G & GE Series

Item	Part #	Description
1	14017-1	Baffle, Air-Left
2	06075-5	Riser, Flu
	01942-9	Clip, Thermostat Bulb (2)
4	11609-2	Liner, Right Slide-Interior
5	07223-0	Guide, Rack-RT/LT (2)
6	09005-0	Rack, Oven
7	11602-5	Liner, Bottom-Oven
8	03572-6	Baffle, Flame
9	14019-8	Baffle, Air-Right
10	11794-3	Liner, Oven Door
11	01424-9	Insulation, Door
12	17440-8	Panel, Door-PTD, W/Name Plate
	11776-5	Handle, Door
14	14064-3	Name Plate
15	06077-1	Trunnion, Door-RT
16	03390-1	Pin, Door (2)
17	11350-6	Washer, Door Spacer (4)
18	06079-8	Trunnion, Door-LT
19*	14075-9	Panel, Firebox- 5 5.(3 4" unit)
20	11810-9	Thermostat, Oven-BJWA
21	02346-9	Nipple, Flange Mount
22	15910-7	Tubing, AI-T'stat to S.V., 3/8"
23	01231-9	Tubing, AI-Man. To S.V., 1/4"
24	01985-2	Bezel, Thermostat
25	01984-4	Dial, Thermostat
26	11853-2	Burner Box-Front Assy
27	03447-9	Burner Assy
28*	11854-0	Door, Pilot Access-PTD
29	11786-2	Bracket, Safety Valve MTG
30	11811-7	Spacer, Safety Valve MTG
31	02409-0	Orifice, Elbow Assy-NAT.(4.0"WC)
	14609-9	Orifice, Elbow Assy-NAT.(6.0"WC, Chg. #1)
	01064-2	Orifice, Elbow Assy-LP
32	01282-3	Connector, Male-3/8"cc
33	01065-0	Valve, Pilot Safety
34*	23218-1	Pilot, Oven-Natural
	23220-3	Pilot, Oven-Propane
35	06065-8	Bracket, Pilot MTG
44	06265-0	Motor (Howell) Prior to 83

36*	02193-8	Pilot Orifice, Oven-Propane
	02194-6	Pilot Orifice, Oven-Propane
37	06155-7	Extension Nut- 1/4" Tubing
38	01230-0	Tubing, AI-Safety to Pilot, 1/4"
39	01013-8	Thermocouple
40	11608-4	Liner, Left Side-Interior
41	01039-1	Regulator-NAT.(4.0"WC)
	14605-6	Regulator-NAT.(6.0"WC)
	01040-6	Regulator-LP

European / Flame - Failure Valve Variations GE Series Only

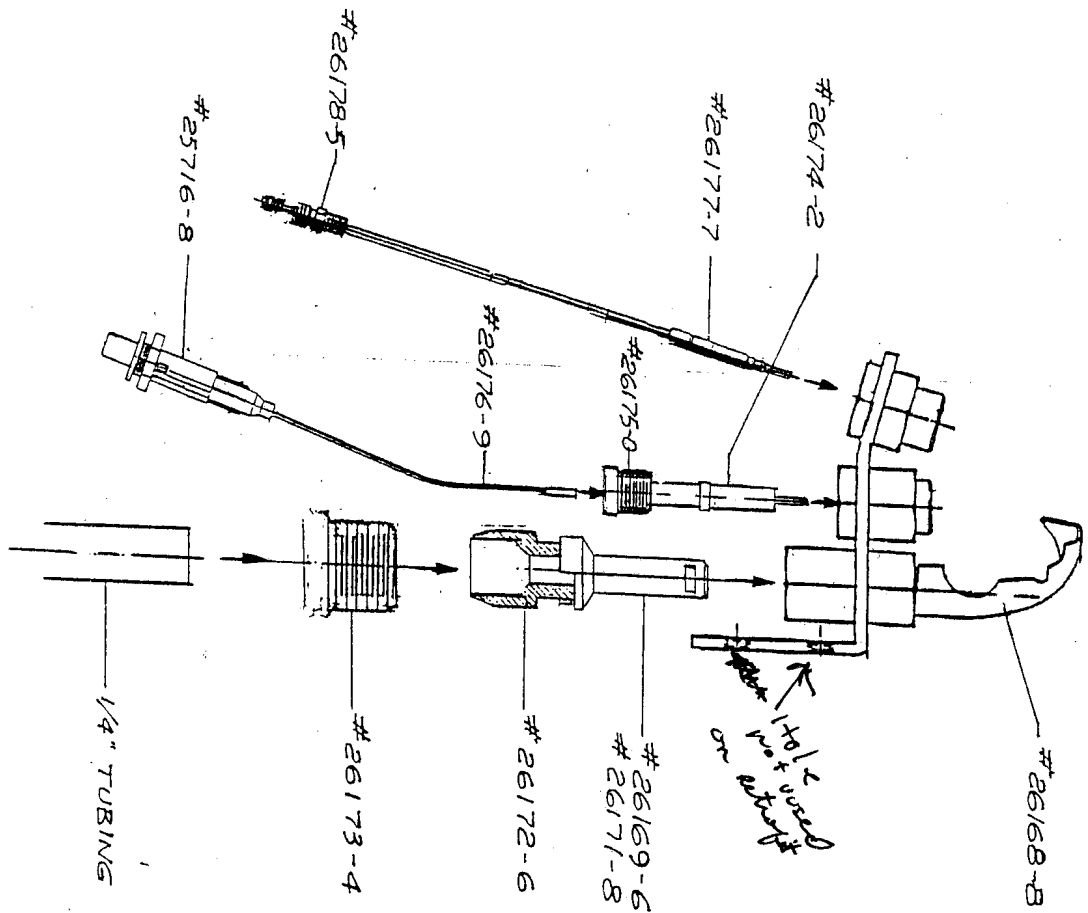
20	25614-5	Thermostat (2)
	11810-9	Thermostat (3)
24	29765-8	Thermostat Bezel (3)
25	26033-9	Thermostat Dial (2)
	29763-1	Thermostat Dial (3)
33	29766-6	Safety Valve (3)
	29768-2	Safety Valve Mounting Bracket (3)
34	26168-8	Oven Pilot Burner w/o Injector (2)
	26169-6	Oven Pilot Injector - G20 NAT Gas (2)
	26171-8	Oven Pilot Injector - G31 LP Gas (2)
	23218-1	Oven Pilot Burner - G20 Nat. Gas (3)
	23220-3	Oven Pilot Burner - G31 Prop. Gas (3)
37	26172-6	Sleeve, Compression (2)
	26173-4	Nut, Compression - 1/4" Tube (2)
39	26177-7	Thermocouple - Oven (2)
	26178-5	Adapter - M8/M9 (2)
	27868-8	Thermocouple Extension - G60 Oven (2)
	01013-8	Thermocouple - Oven (3)
43	26174-2	Electrode - Oven (2)
	26176-9	Ignitor Wire - Oven (2)
	26871-2	Electrode w/ Wire - Oven (3)
42	26935-2	Ignitor, Piezo Assy (3)
42B	26200-5	Bracket, Ignitor Piezo (3)
43	26871-2	Electrode, Oven (3)
other	25716-8	Ignitor, w/ Nut Piezo

(2) [12/96 thru 2/00] - Integral Thermostat Safety Valve
 (3) [3/00 thru present] - Separate Thermostat and Safety Valve



The Montague Company
 1830 Stearman Avenue, Hayward, California 94545

OVEN PILOT BURNER ASSEMBLY



- 26168-8 Pilot Burner -
- 26177-7 Thermocouple -
- 26178-5 Adapter -
- 26174-2 Electrode -
- 26175-0 Electrode Nut -
- 26176-9 Igniter Wire -
- 25716-8 Piezo Igniter -
- 26169-6 Injector #32 -
- 26171-8 Injector #23 -
- 26172-6 Sleeve -
- 26173-4 Nut -

10-28-97

200

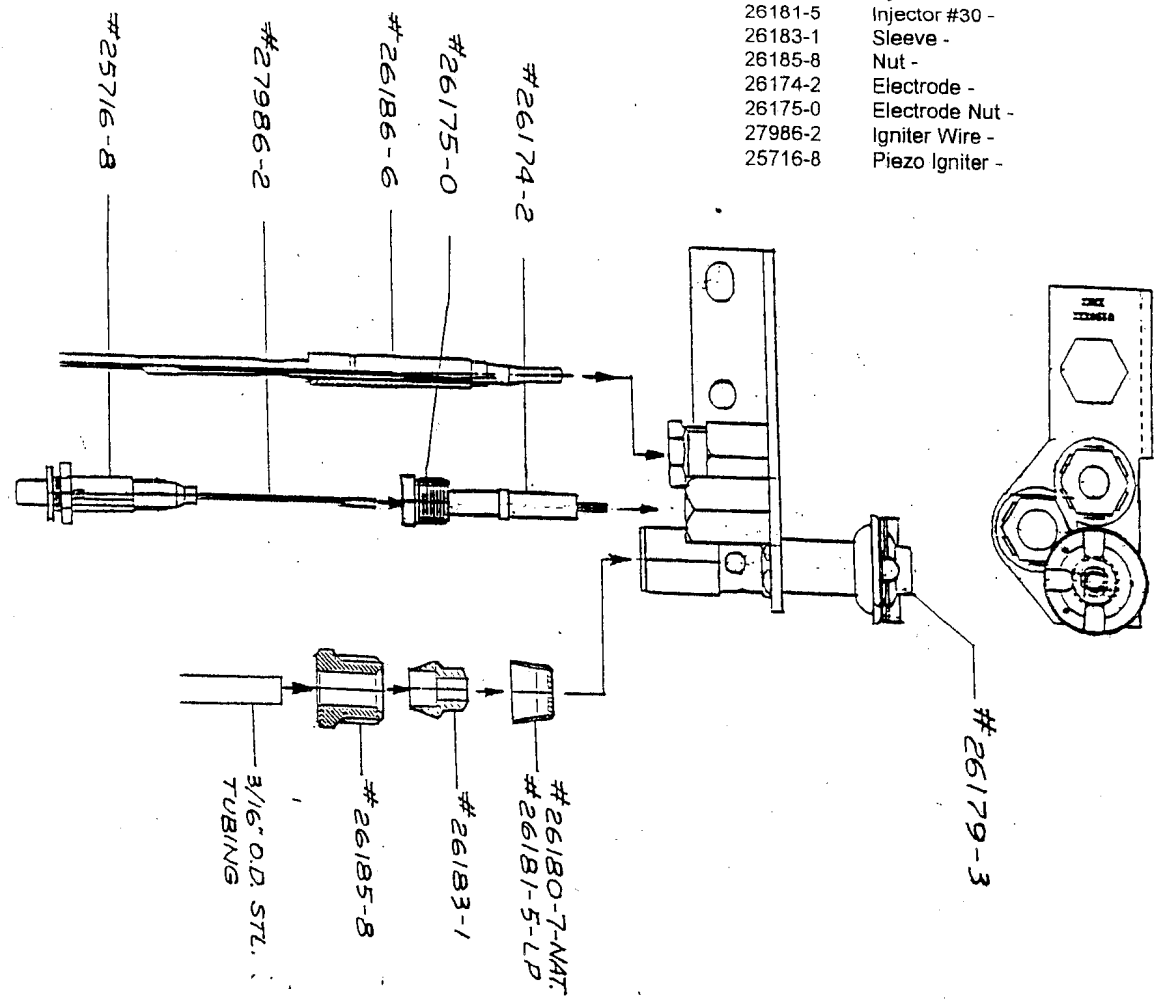
OVEN PILOT BURNER ASSY.		THE MONTAGUE COMPANY 1830 Stearman Avenue, Hayward, Calif., 94545	
		DATE: 12-29-98	DR./P/N: 2030CE

0131 654 0077

244-41

FRY/HOT TOP PILOT ASSEMBLY
CE MODEL

- 26179-3 Pilot Burner -
- 26186-6 Thermocouple -
- 26180-7 Injector #51 -
- 26181-5 Injector #30 -
- 26183-1 Sleeve -
- 26185-8 Nut -
- 26174-2 Electrode -
- 26175-0 Electrode Nut -
- 27986-2 Igniter Wire -
- 25716-8 Piezo Igniter -



FRY TOP/HOT TOP
PILOT ASSEMBLY



THE MONTAGUE COMPANY
1830 Stearman Avenue, Hayward, Calif., 94545

DATE 12-29-98	DR/REV B L	DRAWING NO. 2019ACE
------------------	------------------	------------------------